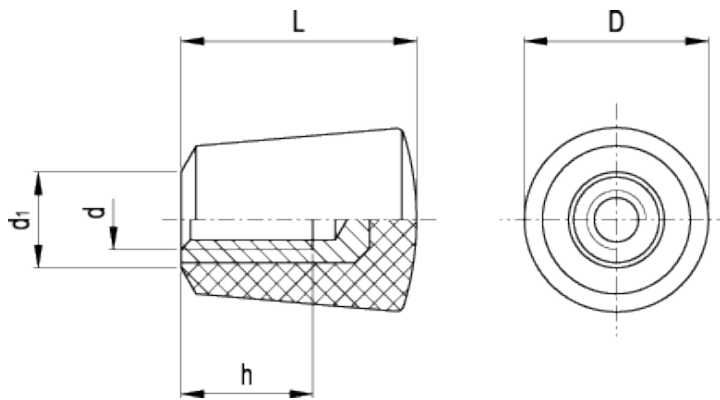
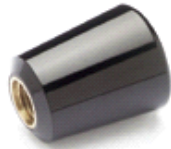


I.307

Handles



technical informations

Material

Phenolic based (PF) Duroplast. Resistant to solvents, oils, greases and other chemical agents.

Colour

Black, glossy finish.

Assembly

Brass boss, tapped blind hole.

Standard Elements		Main dimensions			Mounting hole		Weight
Code	Description	L	D	d ₁	d _{6H}	h	g
23801	I.307/20 B-M5	20	15	7	M5	12	6
23901	I.307/25 B-M6	26	20	10	M6	16	12
23902	I.307/25 B-M8	26	20	10	M8	15	14
24001	I.307/30 B-M10	32	25	13	M10	17	25



ELESA and GANTER models all rights reserved in accordance with the law. Always mention the source when reproducing our drawings.

STANDARD MACHINE ELEMENTS WORLDWIDE